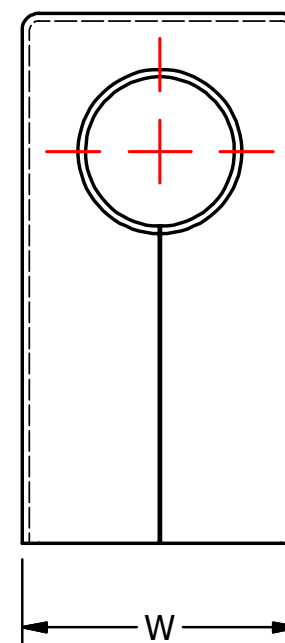
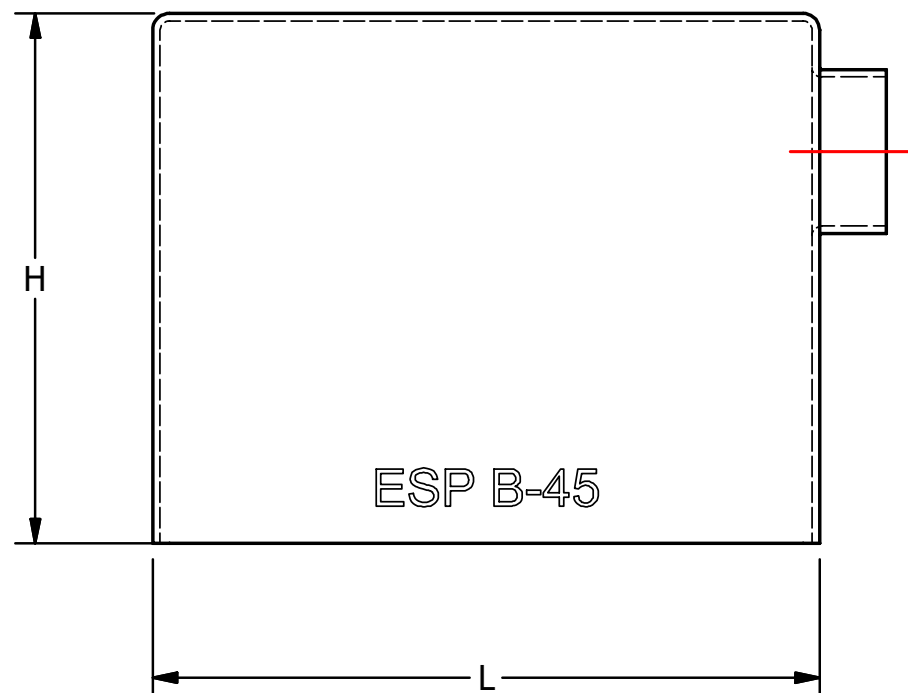
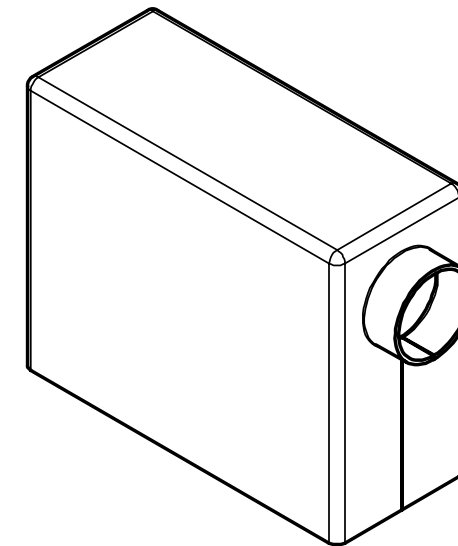


S.NO	CATALOG NUMBER	L	H	W
1	B8	10 [254]	10 [254]	5 [127]
2	B60	12 [304]	8 [203]	2.75 [70]
3	B45	8.75 [222]	7 [178]	3.5 [89]



MATERIAL: PVC

					TO ORDER CMC PRODUCTS CALL 1-513-860-4455  FOR PRODUCT INFO: <a href="http://www.cmclugs.com">http://www.cmclugs.com</a>	DRAWN BY: <b>TS</b> 07-11-19	NAME OF PART: <b>COVER</b>	CAT. NO.: <b>SEE TABLE</b>
						CHECKED BY:	DWG NO: <b>U55508052-S (CHARTED)</b>	<b>A</b>
<b>A</b>	NEW DRAWING CREATED		07-11-19	TS		<b>DRAWING NOT TO SCALE</b>		SHEET NO: 1 OF 1
REV.	DESCRIPTION	ECN	DATE	INIT.				

